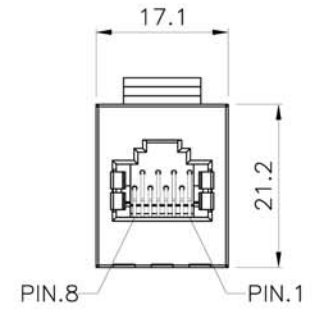
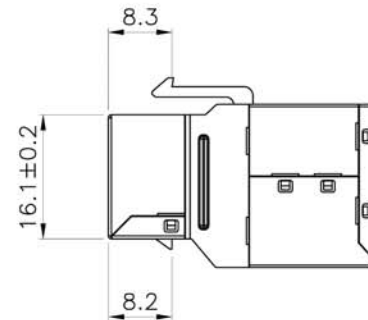
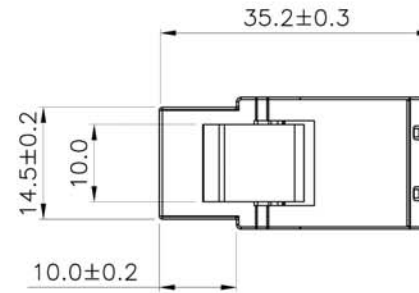
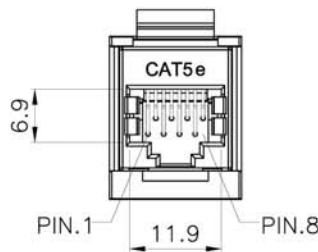


SCALE 1/1



Specification :

Material :

- 1. Plastic Housing : ABS+PC, UL 94V-0, Black color.
- 2. RJ45 Jack Insert : Polycarbonate, UL 94-HB, Transparent color.
- 3. RJ45 Jack Shield : Bronze with Nickel plated.
- 4. RJ45 Jack Contact material & finished :
  - 4-1. Phosphor Bronze with 50-60 micro-inch Nickel plated.
  - 4-2. Contact area : Min. 3 mm 50 micro-inch Gold plated.

Performance :

- a. Insertion Force : 900 gms for 8 contacts.
- b. Retention Strength : 7.7 kgs between Jack and Plug.
- c. Operation Temperature : -40°C to 80°C.
- d. Durability : 750 cycles Plug-Jack mating and unmating test, insertion cycles at 20 cycles/minute max. Contact resistance test per 100 cycles.
- e. The Cat.5e performance is in compliance with the ANSI/TIA/EIA 568 B.2 standard.



ITEM NO

**A-TA3534-R**

TITLE

**Cat5e Inline Coupler  
Keystone Jack, Shielded**

**ASSMANN**  
Electronics, Inc.

1840 W. Drake Drive, Suite 101 - Tempe, AZ 85283

Toll Free: 1-877-277-6266 Email: info@usa-assmann.com

THIS DRAWING IS UNPUBLISHED  
© Copyright 2008 by Assmann Electronic Components  
All International Rights Reserved