

# LIPS<sup>®</sup> P103 SHORT STROKE LINEAR POSITION SENSOR

Position feedback for industrial and scientific applications

- Non-contacting inductive technology to eliminate wear
- Travel set to customer's requirement
- Short body length
- High durability and reliability
- High accuracy and stability
- Sealing to IP65/IP67 as required



As a leading designer and manufacturer of linear, rotary, tilt and intrinsically safe position sensors, Positek<sup>®</sup> has the expertise to supply a sensor to suit a wide variety of applications.

Our P103 LIPS<sup>®</sup> (Linear Inductive Position Sensor) is an affordable, durable, accurate position sensor designed for a wide range of industrial applications. It is particularly suitable for OEMs seeking good sensor performance in situations where a short-bodied sensor is needed and cost is important. The unit is compact and space-efficient, being responsive along almost its entire length, and like all Positek sensors provides a linear output proportional to displacement. Each unit is supplied with the output calibrated to the travel required by the customer, from 10 to 50mm and with full EMC protection built in.

Overall performance, repeatability and stability are outstanding over a wide temperature range.

The sensor has a rugged stainless steel body and plunger. It is easy to install and set up, mounting options include flange and body clamps. The plunger can be supplied free or captive, with female M4 thread, or spring-loaded with a ball end. The P103 also offers a wide range of mechanical and electrical options, environmental sealing is to IP65 or IP67 depending on selected cable or connector options.

## SPECIFICATION

### DIMENSIONS

For full mechanical details see drawing P103-11

|   |  |
|---|--|
| Independent linearity                   | < ± 0.25% @ 20°C                                     |
| Temperature coefficients                | < ± 0.01%/°C Gain &<br>< ± 0.01%FS/°C Offset         |
| Typical overall accuracy                | < ± 0.75% / FSO                                      |
| Frequency response                      | > 10 KHz (-3dB)<br>> 300 Hz (-3dB) 2 wire 4 to 20 mA |
| Resolution                              | Infinite   |
| Noise                                   | < 0.02% FSO  |
| <b>Environmental Temperature Limits</b> |  |
| Operating                               | -40 to +125°C standard<br>-20 to +85°C buffered      |
| Storage                                 | -40 to +125°C  |
| Sealing                                 | IP65/IP67 depending on connector / cable option      |
| EMC Performance                         | EN 61000-6-2, EN 61000-6-3                           |
| Vibration                               | IEC 68-2-6: 10g                                      |
| Shock                                   | IEC 68-2-29: 40 g                                    |
| MTBF                                    | 350,000 hrs 40°C Gf                                  |
| Drawing List                            |  |
| P103-11                                 | Sensor Outline                                       |

Drawings, in AutoCAD<sup>®</sup> dwg or dxf format, available on request.

Do you need a position sensor made to order to suit a particular installation requirement or specification? We'll be happy to modify any of our designs to suit your needs - please contact us with your requirements.

# LIPS<sup>®</sup> P103 SHORT STROKE LINEAR POSITION SENSOR

Position feedback for industrial and scientific applications

## How Positek's PIPS<sup>®</sup> technology eliminates wear for longer life

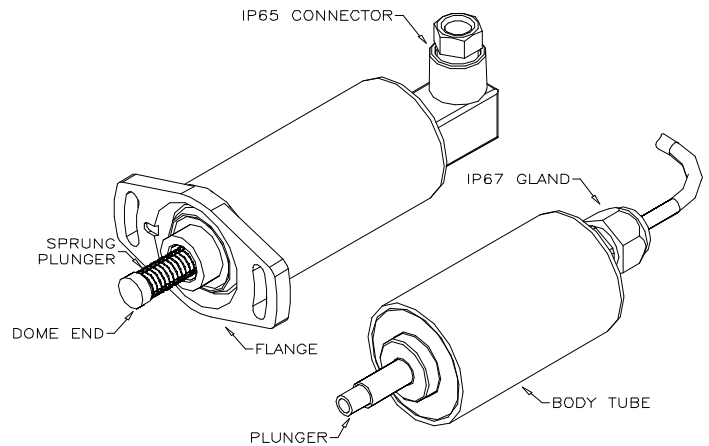
Positek's PIPS<sup>®</sup> technology (Positek Inductive Position Sensor) is a major advance in displacement sensor design. PIPS<sup>®</sup>-based displacement transducers have the simplicity of a potentiometer with the life of an LVDT/RVDT.

PIPS<sup>®</sup> technology combines the best in fundamental inductive principles with advanced micro-electronic integrated circuit technology. A PIPS<sup>®</sup> sensor, based on simple inductive coils using Positek's ASIC control technology, directly measures absolute position giving a DC analogue output signal. Because there is no contact between moving electrical components, reliability is high and wear is eliminated for an exceptionally long life.

PIPS<sup>®</sup> overcomes the drawbacks of LVDT technology – bulky coils, poor length-to-stroke ratio and the need for special magnetic materials. It requires no separate signal conditioning.

Our LIPS<sup>®</sup> range are linear sensors, while RIPS<sup>®</sup> are rotary units and TIPS<sup>®</sup> are for detecting tilt position. Ask us for a full technical explanation of PIPS<sup>®</sup> technology.

We also offer a range of ATEX-qualified intrinsically-safe sensors.



### TABLE OF OPTIONS

**MEASUREMENT RANGE:** Factory-set to any length from 10 to 50 mm in increments of 1mm.

#### ELECTRICAL INTERFACE OPTIONS

| OUTPUT SIGNAL           | SUPPLY INPUT                | OUTPUT LOAD |
|-------------------------|-----------------------------|-------------|
| Standard:               |                             |             |
| 0.5-4.5V dc ratiometric | +5V dc nom. ± 0.5V.         | 2kΩ min.    |
| Buffered:               |                             |             |
| 0.5-4.5V dc             | +24V dc nom. + 9-28V.       | 2kΩ min.    |
| ±5V dc                  | ±15V dc nom. ± 9-28V.       | 2kΩ min.    |
| 0.5-9.5V dc             | +24V dc nom. + 13-28V.      | 5kΩ min.    |
| ±10V dc                 | ±15 V dc nom. ± 13.5-28V.   | 5kΩ min.    |
| Supply Current          | 10mA typical, 20mA maximum. |             |

|                 |                         |             |
|-----------------|-------------------------|-------------|
| 4-20mA (2 wire) | +24 V dc nom. + 18-28V. | 300Ω @ 24V. |
| (3 wire sink)   | +24 V dc nom. + 13-28V. | 950Ω @ 24V. |
| (3 wire source) | +24 V dc nom. + 13-28V. | 300Ω max.   |

Option for output signal 'zero' and 'span' adjustment available.

#### CONNECTOR/CABLE OPTIONS

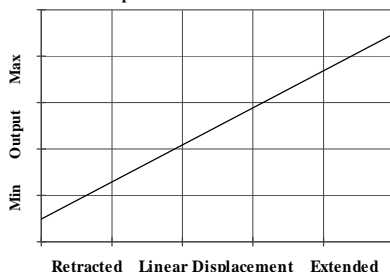
Connector - Hirschmann GD series IP65  
 Cable with M12 gland or short gland IP67  
 Cable length >50cm – please specify length in cm

#### MOUNTING OPTIONS

Flange, Body Tube Clamp.

**PUSH ROD OPTIONS** – standard retained with M4x0.7 female thread  
 Sprung loaded (spring supplied loose), Dome end (sprung loaded) or Free.

Output Characteristic - Standard



Output Characteristic - Reverse option

